

Imperial Brass Compression Fittings



Equal Elbows

Tube x Tube

Characteristic:

- Use for liquids or air. No flaring, soldering or other preparation of tubing necessary to assemble.
- Use with with copper, brass, aluminum and thermoplastic tubing.
- No recommended for steel tubing.

Material:

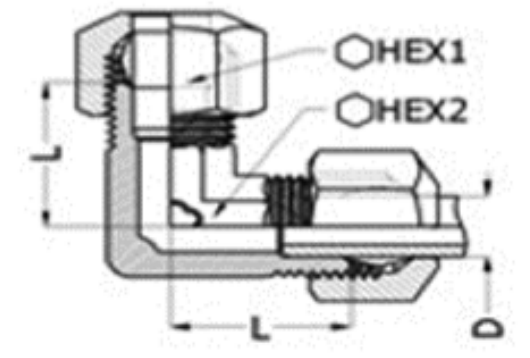
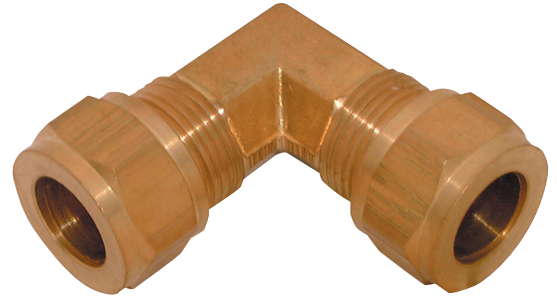
- Connectors are machined from brass JIS3604
- Elbows, tees are forged and machined from brass JIS3771

Working Temperature: -54°C ~ + 121°C

Working Pressure: for metal tubing is 100~140 Bar

at 20°C :

- O.D. 1/8 28Bar
- O.D. 1/4 20Bar
- O.D. 3/8 14Bar
- O.D. 1/2 14Bar
- O.D. 5/8 10Bar
- O.D. 3/4 7Bar
- O.D. 7/8 5Bar



Part Code	Item No.	Tube Size D	Thread T	L mm	HEX mm	I.D. mm
APEE-14	S03-L2	1/4	M11x1.0	16.5	14	9.5
APEE-516	S03-L25	5/16	1/2-24	19.2	16	11
APEE-38	S03-L3	3/8	9/16-24	21	17	13
APEE-12	S03-L4	1/2	11/16-20	23	21	13